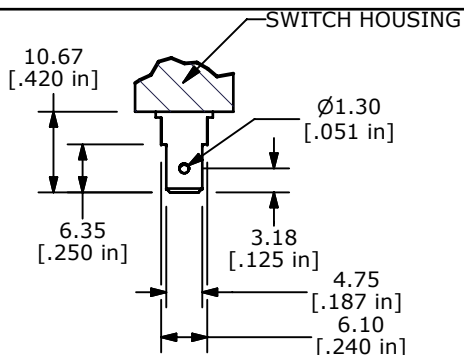


SCHEMATIC

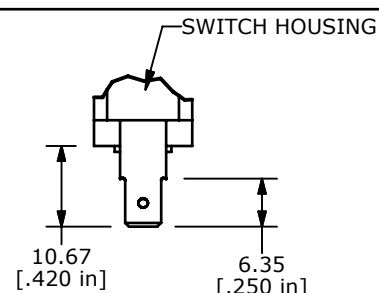
▲ SWITCH FUNCTION		
POS. 1	POS. 2	POS. 3
ON	(ON)	ON
1-3, 4-2	1-5, 6-2	1-5, 6-2

(ON)=MOMENTARY

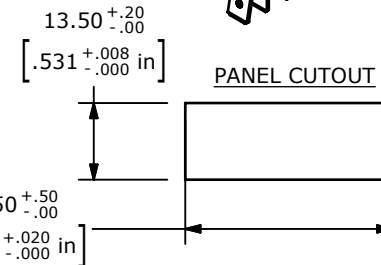
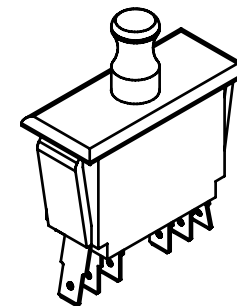
- NOTES:
- ALL DIMENSIONS IN MM
  - GENERAL TOLERANCE: X.X=±0.4  
X.XX=±0.25
  - TERM. NOS. FOR REFERENCE ONLY
  - ELECTRICAL LIFE: 6,000 CYCLES
  - OPERATING TEMP: 0°C TO 85°C
  - CONTACT RESISTANCE: 10mΩ MAX. INITIAL
  - 2002/95/EC (ROHS) COMPLIANT
  - CONTACT RATING:  
UL APPROVED: 10R(4)A 277VAC 5E4
  - MATERIALS:
    - BODY AND ACTUATOR: POLYAMIDE 6/6 (PA66)
    - SPRING: STEEL (65Mn)
    - SPRING POLE: POLYAMIDE 6/6 (PA66)
    - HOOK SPRING: STAINLESS STEEL (1Cr13)
    - ACTUATION LEVER: BRASS (H62)
    - MOBILE CONTACT BAR: SILVER PLATED COPPER
    - MOBILE CONTACT: SILVER/NICKEL (AgNi (10))
    - STATIONARY CONTACT: SILVER/NICKEL CLAD COPPER (AgNi (10)/Cu)
    - TERMINALS: SILVER PLATED BRASS (H62)
  - PLASTIC COLOR: WHITE (BODY AND ACTUATOR)
  - ▲ DENOTES CRITICAL PARAMETER



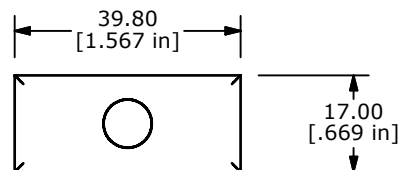
CONSTRUCTION DETAIL  
TERMS: 3, 4, 5, 6



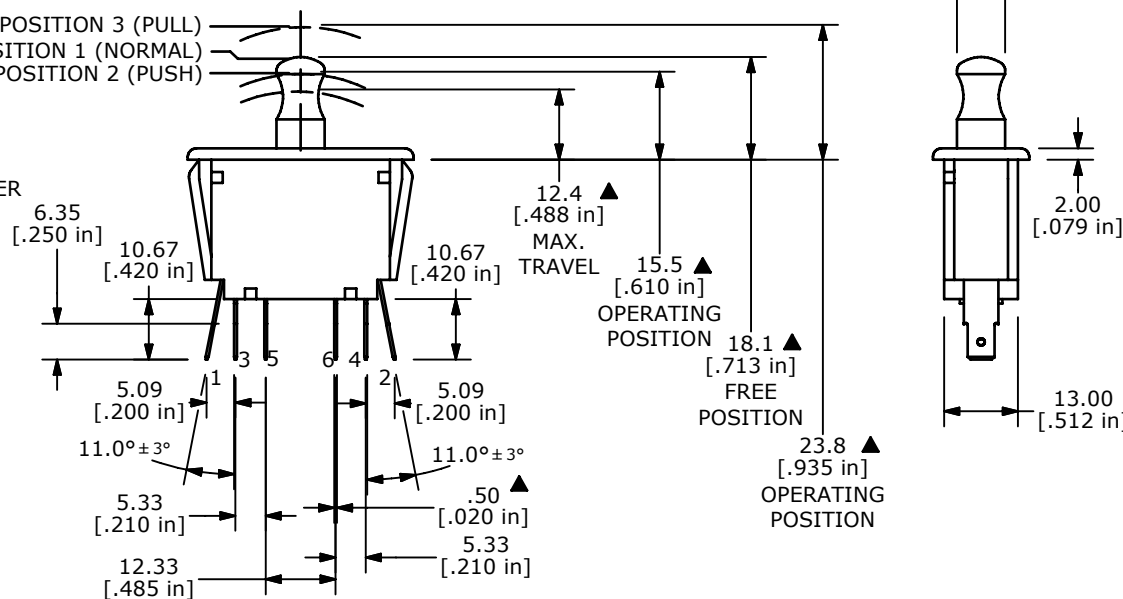
CONSTRUCTION DETAIL  
TERMS: 1 & 2



PANEL CUTOUT



POSITION 3 (PULL)  
POSITION 1 (NORMAL)  
POSITION 2 (PUSH)



C	20661	Add Notes 8,9,10.	6/26/12	rc
B	20655	chg title from PP2-7UX-2B2	6/21/12	rc
A	20574	New Release	4/26/12	rc
REV	PCR NO	DESCRIPTION	DATE	BY

# E-Switch INC.

TITLE PP2-7U1-2B2

SCALE	DATE	DR	DWG	REV
3/4:1	4/26/2012	rc	34-PP27U12B2	C

THE INFORMATION CONTAINED IN THIS DOCUMENT IS PROPRIETARY TO E-SWITCH AND IS NOT TO BE COPIED OR TRANSFERRED